
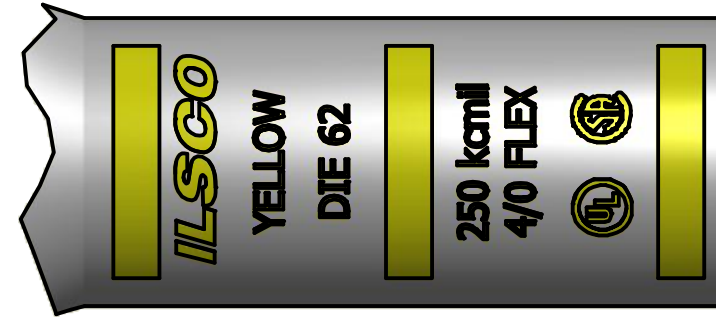
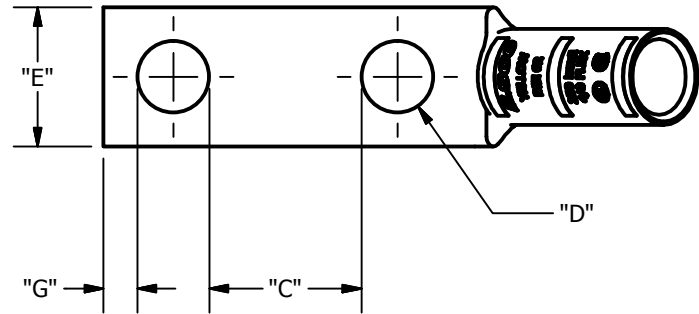
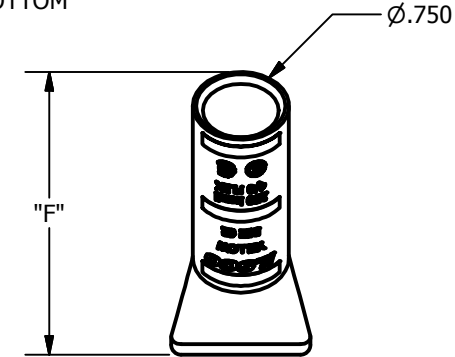
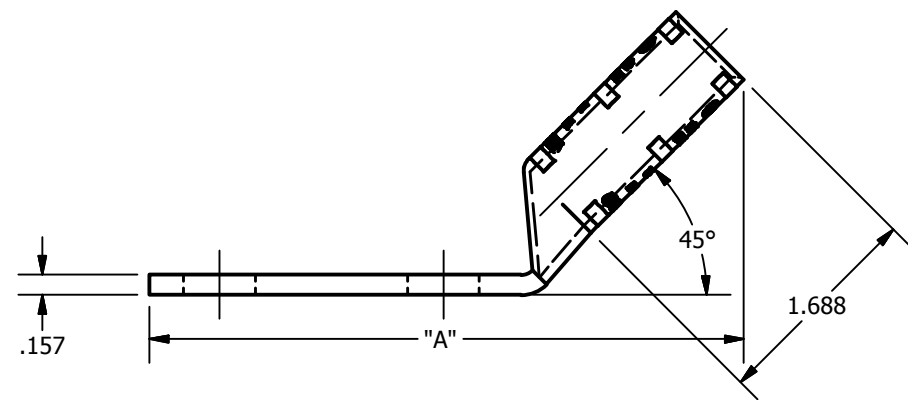


SCREW: NONE	MATERIAL: COPPER	REV: C	 800-776-9775 www.ilSCO.com
CAT. NO.: SEE CHART	PLATING: EL-TIN	DRAWN BY:DW SCALE: NTS	
INFORMATION SHEET:FORM 157	MARKING: SEE CHART	DATE:6/3/2008 SIZE: B	
			DWG NO: Y1103-D-4
			SHEET: 1 OF 1



DETAIL E
INK MARK TOP & BOTTOM



CATALOG NUMBER	"A"	"C"	"D"	"E"	"F"	"G"	TANG MARKING
CLNB-250-14-12-4	2.976	0.219	0.281	1.088	2.216	0.180	UL, ILSCO, CSA, CLNB-250-14-12-4, 1/4 x 1/2, 250 kcmil, 4/0 FLEX, DIE 62
CLNB-250-14-58-4	3.163	0.344	0.281	1.088	2.216	0.180	UL, ILSCO, CSA, CLNB-250-14-58-4, 1/4 x 5/8, 250 kcmil, 4/0 FLEX, DIE 62
CLNB-250-14-34-4	3.163	0.469	0.281	1.088	2.216	0.180	UL, ILSCO, CSA, CLNB-250-14-34-4, 1/4 x 3/4, 250 kcmil, 4/0 FLEX, DIE 62
CLNB-250-14-1-4	3.413	0.719	0.281	1.088	2.216	0.180	UL, ILSCO, CSA, CLNB-250-14-1-4, 1/4 x 1, 250 kcmil, 4/0 FLEX, DIE 62
CLNB-250-516-58-4	3.163	0.282	0.343	1.088	2.216	0.180	UL, ILSCO, CSA, CLNB-250-516-58-4, 5/16 x 5/8, 250 kcmil, 4/0 FLEX, DIE 62
CLNB-250-516-34-4	3.413	0.407	0.343	1.088	2.216	0.180	UL, ILSCO, CSA, CLNB-250-516-34-4, 5/16 x 3/4, 250 kcmil, 4/0 FLEX, DIE 62
CLNB-250-516-78-4	3.413	0.532	0.343	1.088	2.216	0.180	UL, ILSCO, CSA, CLNB-250-516-78-4, 5/16 x 7/8, 250 kcmil, 4/0 FLEX, DIE 62
CLNB-250-516-1-4	3.663	0.657	0.343	1.088	2.216	0.180	UL, ILSCO, CSA, CLNB-250-516-1-4, 5/16 x 1, 250 kcmil, 4/0 FLEX, DIE 62
CLNB-250-516-134-4	4.226	1.407	0.343	1.088	2.216	0.180	UL, ILSCO, CSA, CLNB-250-516-134-4, 5/16 x 1-3/4, 250 kcmil, 4/0 FLEX, DIE 62
CLNB-250-38-34-4	3.413	0.344	0.406	1.088	2.216	0.211	UL, ILSCO, CSA, CLNB-250-38-34-4, 3/8 x 3/4, 250 kcmil, 4/0 FLEX, DIE 62
CLNB-250-38-78-4	3.663	0.469	0.406	1.088	2.216	0.211	UL, ILSCO, CSA, CLNB-250-38-78-4, 3/8 x 7/8, 250 kcmil, 4/0 FLEX, DIE 62
CLNB-250-38-1-4	3.663	0.594	0.406	1.088	2.216	0.211	UL, ILSCO, CSA, CLNB-250-38-1-4, 3/8 x 1, 250 kcmil, 4/0 FLEX, DIE 62
CLNB-250-38-116-4	3.663	0.656	0.406	1.088	2.216	0.211	UL, ILSCO, CSA, CLNB-250-38-116-4, 3/8 x 1-1/6, 250 kcmil, 4/0 FLEX, DIE 62
CLNB-250-38-118-4	3.851	0.719	0.406	1.088	2.216	0.211	UL, ILSCO, CSA, CLNB-250-38-118-4, 3/8 x 1-1/8, 250 kcmil, 4/0 FLEX, DIE 62
CLNB-250-38-134-4	4.351	1.344	0.406	1.088	2.216	0.211	UL, ILSCO, CSA, CLNB-250-38-134-4, 3/8 x 1-3/4, 250 kcmil, 4/0 FLEX, DIE 62
CLNB-250-38-2-4	4.723	1.594	0.406	1.088	2.216	0.211	UL, ILSCO, CSA, CLNB-250-38-2-4, 3/8 x 2, 250 kcmil, 4/0 FLEX, DIE 62
CLNB-250-12-1-4	3.851	0.438	0.562	1.088	2.216	0.265	UL, ILSCO, CSA, CLNB-250-12-1-4, 1/2 x 1, 250 kcmil, 4/0 FLEX, DIE 62
CLNB-250-12-114-4	4.226	0.688	0.562	1.088	2.216	0.265	UL, ILSCO, CSA, CLNB-250-12-114-4, 1/2 x 1-1/4, 250 kcmil, 4/0 FLEX, DIE 62
CLNB-250-12-112-4	4.351	0.938	0.562	1.088	2.216	0.265	UL, ILSCO, CSA, CLNB-250-12-112-4, 1/2 x 1-1/2, 250 kcmil, 4/0 FLEX, DIE 62
CLNB-250-12-134-4	4.723	1.188	0.562	1.088	2.216	0.265	UL, ILSCO, CSA, CLNB-250-12-134-4, 1/2 x 1-3/4, 250 kcmil, 4/0 FLEX, DIE 62
CLNB-250-12-178-4	4.723	1.313	0.562	1.088	2.216	0.265	UL, ILSCO, CSA, CLNB-250-12-178-4, 1/2 x 1-7/8, 250 kcmil, 4/0 FLEX, DIE 62